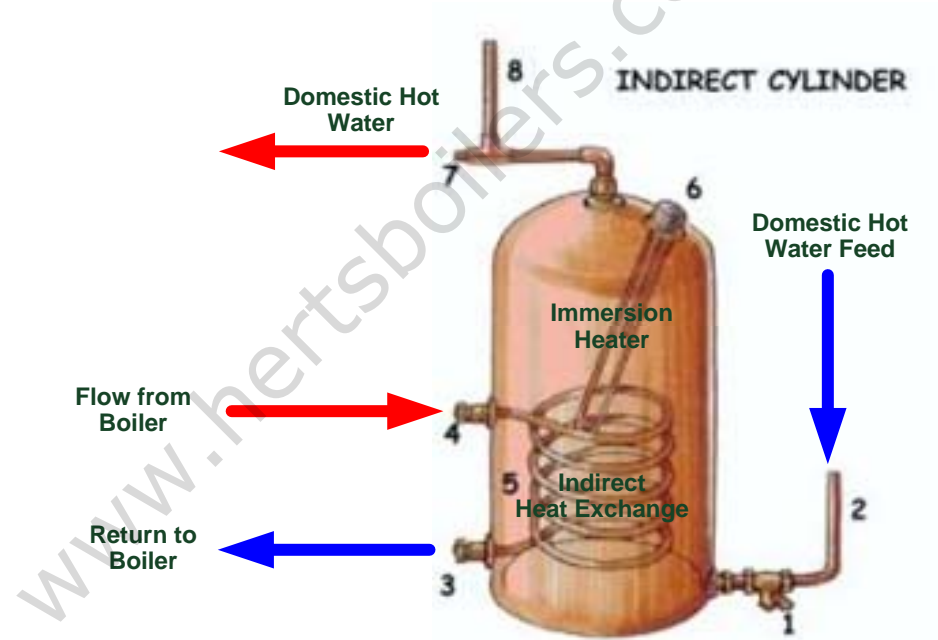
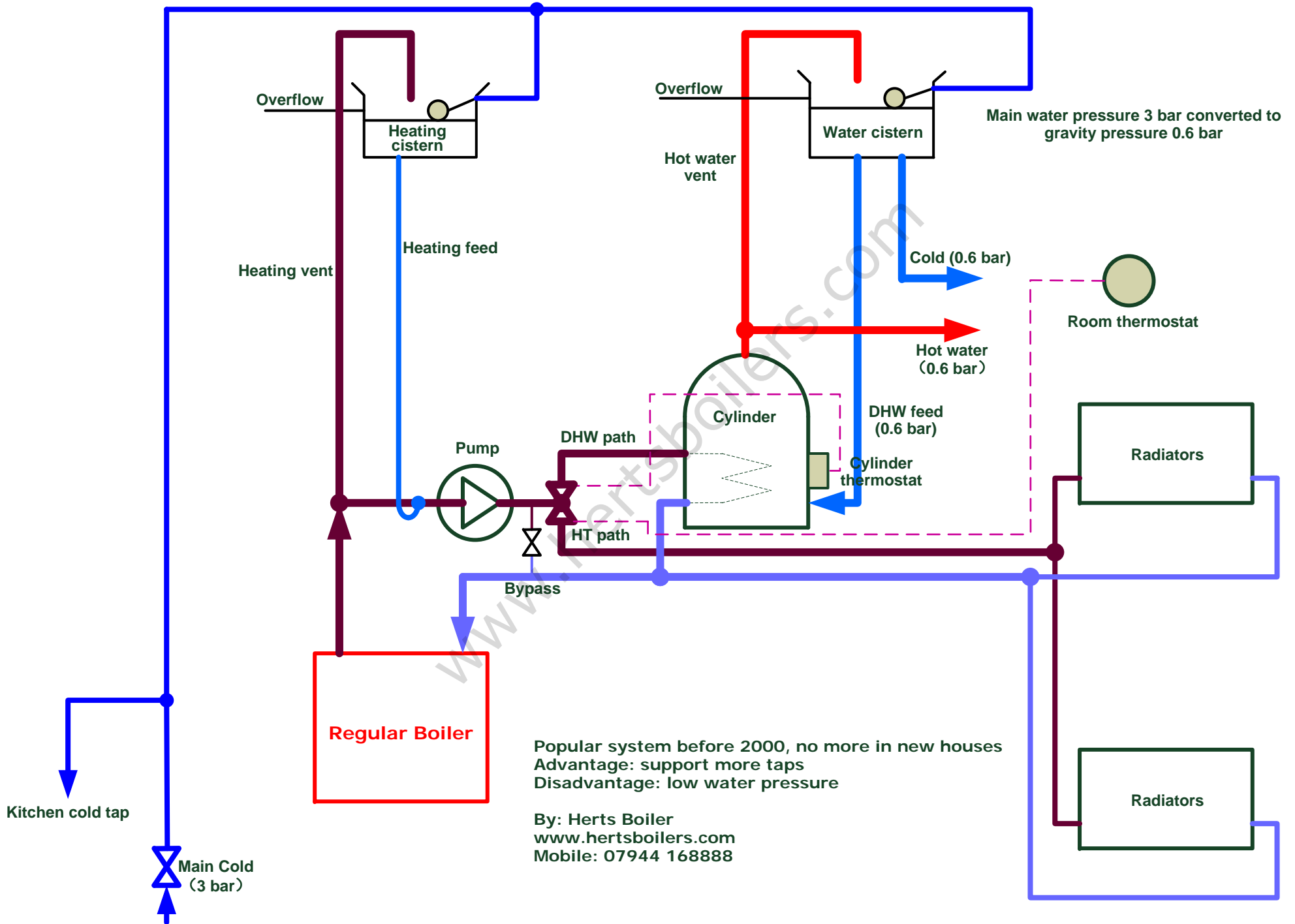


Indirect Cylinder Principle

1. Drain cock
2. Incoming cold feed
3. Return to boiler
4. Flow from boiler
5. Heat exchanger
6. Immersion heater
7. Hot feed to taps
8. Vent pipe



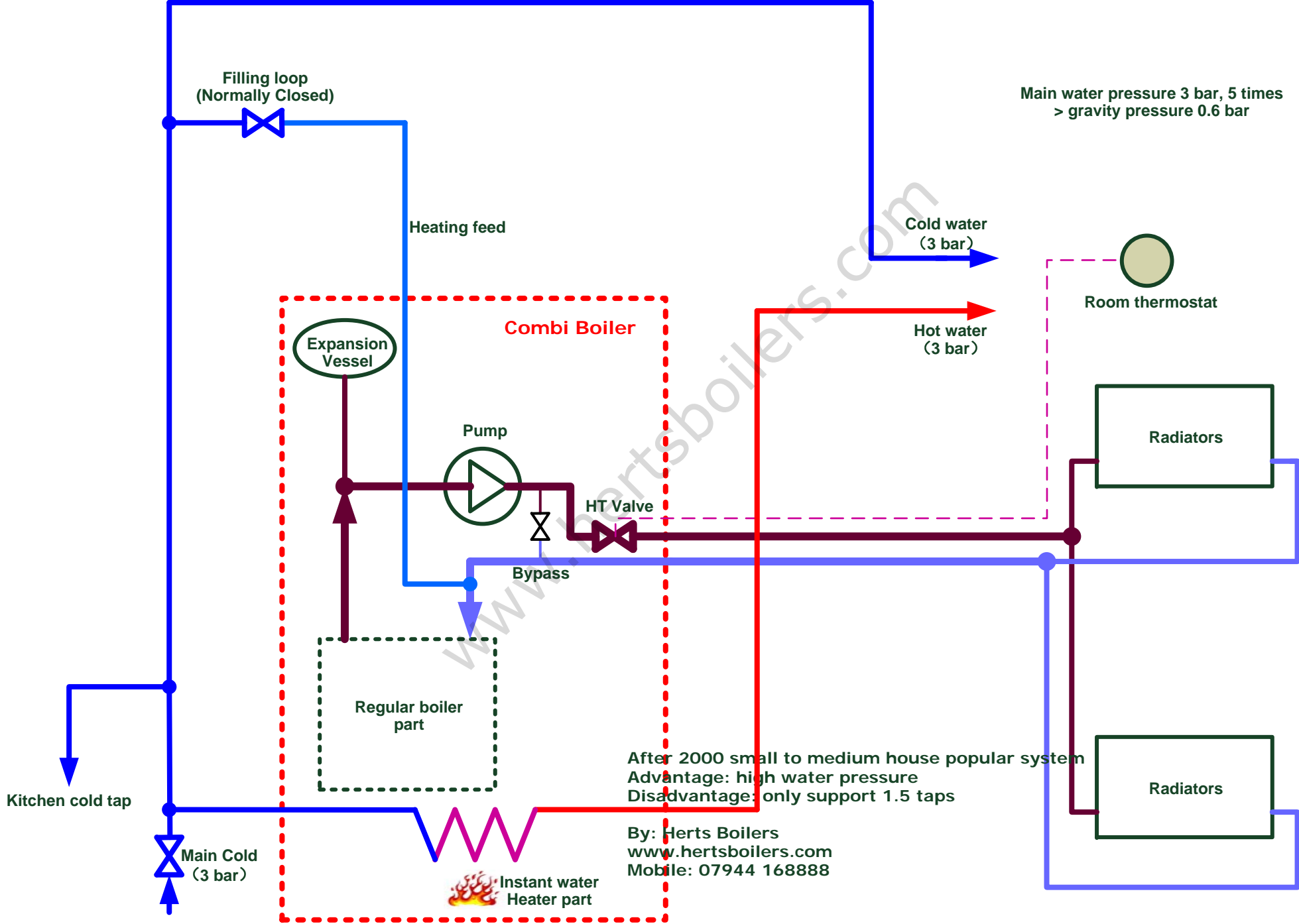
System 1: Open Vented (Vented)



Popular system before 2000, no more in new houses
Advantage: support more taps
Disadvantage: low water pressure

By: Herts Boiler
www.hertsboilers.com
Mobile: 07944 168888

System 2: Combi Sealed



After 2000 small to medium house popular system
Advantage: high water pressure
Disadvantage: only support 1.5 taps

By: Herts Boilers
www.hertsboilers.com
Mobile: 07944 168888

System 3: Un-vented (MegaFlow)

